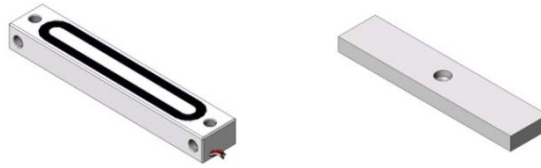


ELECTROMAGNETIC LOCK INSTALL INSTRUCTION

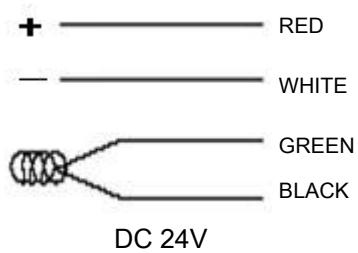
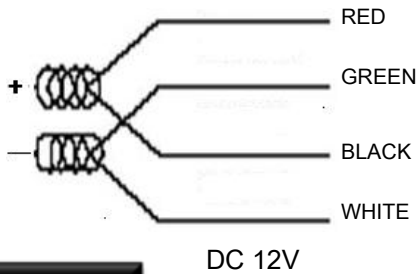
AR-0200M



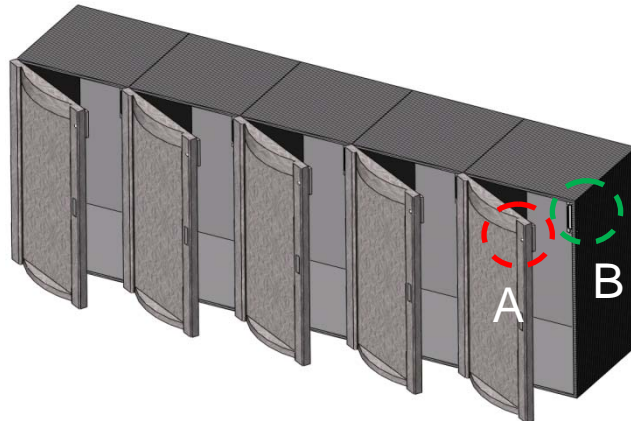
SPECIFICATION

INPUT VOLTAGE	CURRENT DRAW	HOLDING FORCE	SURFACE MAGNET DIMENSION	STRIKE PLATE DIMENSION
12 TO 24 VDC	12VDC-200mA 24VDC-100mA	220LBS(110KG)	160x28x17 mm	130x28x8 mm

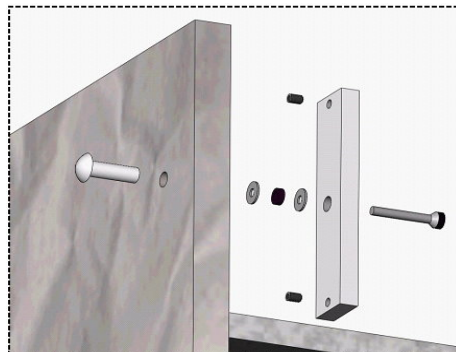
ELECTRICAL INSTALLATION



ASSEMBLY



ENLARGE_B



ENLARGE_A