

SOYAL[®]

Mini 101 Series

AR-101-PBI-L

Touch-less Infrared Sensor Push Button

Suitable for installation as both door exit button and also lift floor button.



Dual-purpose button

Suitable for installation as both door exit button and also lift floor button.

Bi-Color LED Ring Indicator in Flush Mount Design

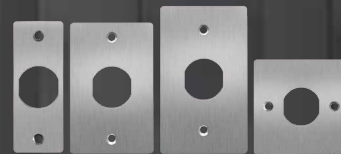
Green LED:
Swipe Valid Card / Standby Mode / Arming

Red LED:
Swipe Invalid Card / Alarming

Coin Controller

It is only as big as a coin, suitable for most installation that only have remaining small space for access controller

Various Panel Selectable



Silver & black plastic panel and stainless steel panel with slim US type, rectangle US type, Rectangle Wide US Type and square EU type

Features



Bi-Color Frame Indicator



Flush Mount Installation



Safety and Health



Touchless button



Lift Control



Web

- Flush mounted design is thin and aesthetics, Bi-color LED ring shine and light your life.
- Three types for installation on various sites: Slim type, US type and EU type.
- The physical contact feature allows door open under no power supply situation just by pressing the button.
- Infrared sensor design can trigger door lock without touching, suited in fields with high hygienic standards.
- Modular design offer the flexibility to install it on the decoration surface on site rather than matching it with standard panels only.

SPECIFICATION

Active distance	0.5-8cm	Dimension (mm)	39(H)X39(W)X29(D)
Voltage	DC 9~24V	Ingress Protection	NO
Current	DC 12V Standby: 30mA / Max. during activation: 75mA	Others	Physical Contact (How to use when power off): Allow access under no power supply situation by pressing any points on the button.
Contact capacity	30VDC 1A / 125VAC 0.3A		
Output Contact	1 Form C (1A / VAC/VDC 30V)		

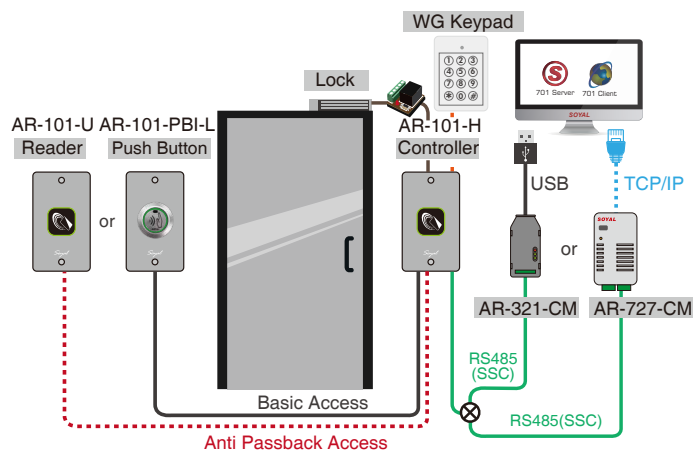
APPLICATION & STRUCTURE DIAGRAM

● STANDALONE & NETWORKING ACCESS CONTROL

Basic Access: the most basic access, exiting venue is only by pressing a push button

Anti Passback: restrict user to re-enter before exiting venue or increase security level by having access reader at the other side of the door. Both entering and exiting will required swipe card or keyfob for access.

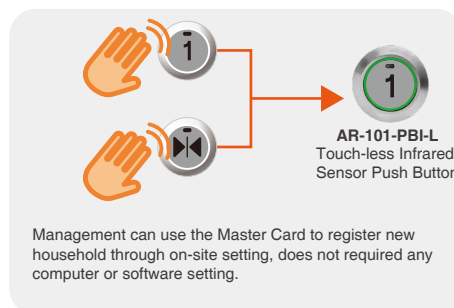
Networking: beside configuration through Wiegand Keyboard and Master Card, you can also link AR-101-H with Soyal converter to PC for configuration via SOYAL Software or for anti-cloning and encryption process.



--1024 User, 11 Timezone--

● SOFTWARE-FREE PREVENTION LIFT CONTROL

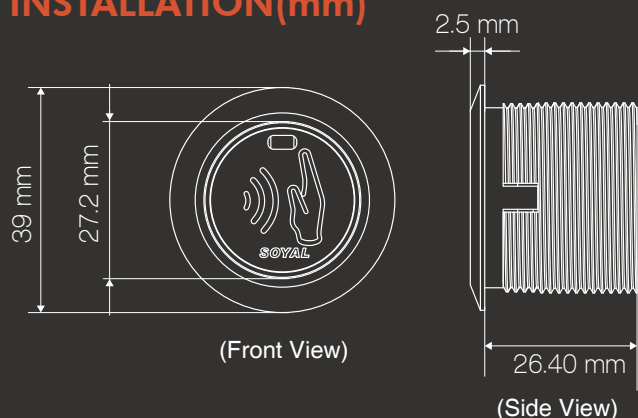
- 1 Swipe card and directly arrived at destination floor
- 2 Touchless Infrared Sensor Lift Call Button
- 3 On-site Software Free Management



Management can use the Master Card to register new household through on-site setting, does not required any computer or software setting.



INSTALLATION(mm)



HOW TO ORDER

AR-101-PBI-XX-L-XX-XX

LED Color
GR= Green/Red (Standard)
BR= Blue/Red (Customized)

Version
L= Micro Distance Version
(active distance 0.5-8cm)

Stainless Steel Panel
N/A= without additional panel
6M= Slim US
7M= Rectangle US
8M= Square EU
9M= Rectangle Wide US

Graphic Panel
Palm+button / Wave+Button