

# SOYAL<sup>®</sup>

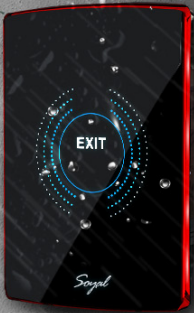
## Onyx Series

# AR-888-PBI-S

## Touchless Infrared Button

Touchless button suitable for high-hygienic environment, aesthetics and generous flush mounted design, eye-catching bi-color LED frame Indicator

Weather Proof



Touchless infrared



### Varities in Color and Size

Available in two size that fit your requirement Rectangle US Type or Square EU Type

### Bi-Color LED Frame Indicator in Flush Mount Design



Standby signal:  
central guiding LED status



Door open LED status:  
adjustable red/green LED  
frame

### Protection Against Solid and Liquid Particle

Equipped with IP65, tight protection against dust and water resistant

## Features



Bi-Color Frame Indicator



Flush Mount Installation



Safety and Health



Touchless button



Web

- Flush mounted design is thin and aesthetics, Bi-color LED ring shine and light your life.
- Infrared sensor design can trigger door lock without touching, suited in fields with high hygienic standards.
- US type and EU type for choice and installation on various sites.
- LED ring color is changeable according to user needs.
- Anti-sunlight and infrared interference design
- Waterproof rating IP65, suitable for indoor and outdoor installation.
- The infrared reading range is adjustable according to the needs.

## SPECIFICATION

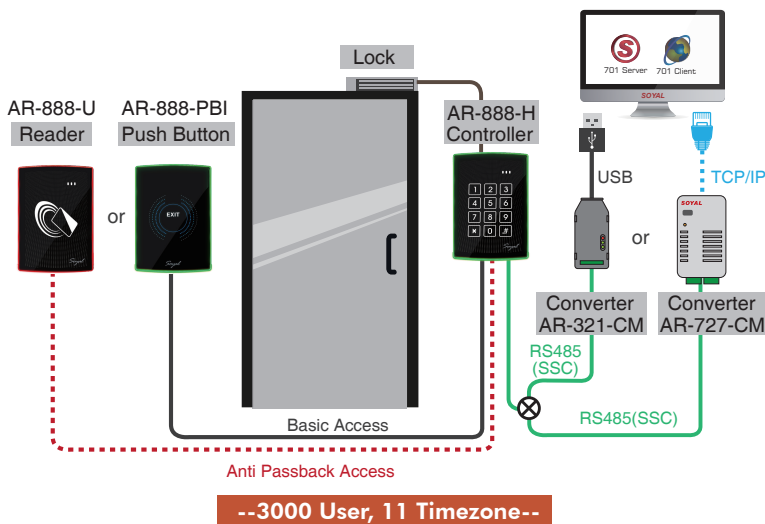
Active distance	4-stage adjustment within 2~10cm	Contact capacity	30VDC 1A / 125VAC 0.3A
Indicator light	Standby signal: central guiding LED status Door open LED status: adjustable Red/Green LED frame	Output Contact	1 Form C (1A / VAC/VDC 30V)
Voltage	DC 9~24V	Dimension (mm)	US:118(L)X81(W)X34(D) EU:88(L)X86(W)X34(D)
Current	DC 12V Standby: 35mA / Max. during activation: 65mA		

## APPLICATION & STRUCTURE DIAGRAM

### STANDALONE & NETWORKING ACCESS CONTROL

**Basic Access:** the most basic access, exiting venue is just by trigger a touchless Infrared Button

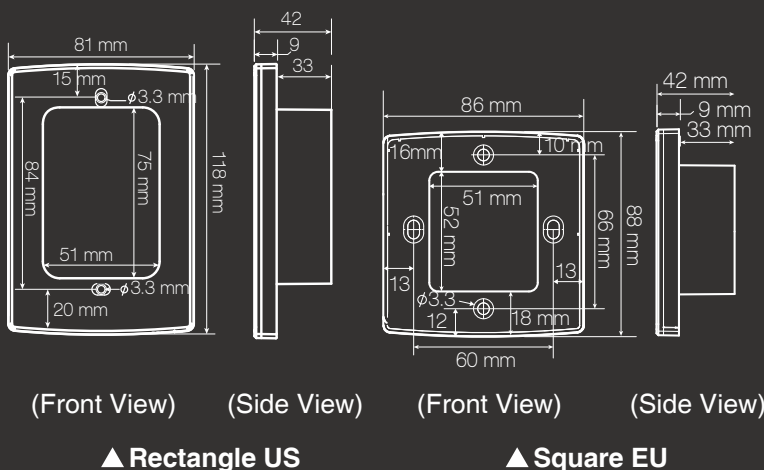
**Anti Passback:** restrict user to re-enter before exiting venue or increase security level by having access reader at the other side of the door. Both entering and exiting will required swipe card or keyfob for access.



## WHAT WE OFFER

- Industrial Grade / High Durability**  
 Made of industrial grade materials in compliance with RoHS, which is far higher than general commercial grade, Soyal products work well in extreme environment with long working life.
- Support Soyal Cascade Structure**  
 When scaling your system it is not only having more hardware, higher security level, and more spaces to control; it also means there will be more people with access. Without replacing or changing installed hardware, adjust your controller user capacities by adding external Multi-Door Controller; from a thousand to more than ten thousand user capacity.
- High Scalability, Beyond Access Controller**  
 Each product manufactured by Soyal is made for total solution and to offer flexibility. For instance, Soyal main product is access controller but you can find Soyal on other application like offline consumption device, charging device, and many more just by changing its firmware.

## INSTALLATION(mm)



## HOW TO ORDER

**AR-888-PBI** **GR-S-XX**

**LED**  
GR=Green / Red

**Type**  
US= Rectangle US Type  
EU= Square EUT Type

**Version**  
S= Micro Distance version  
(active distance 2-10cm)