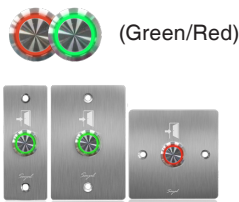


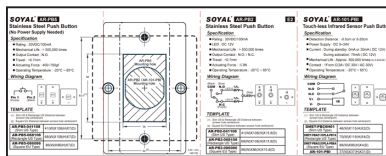
Content

1 Product



Slim US Type : AR-PB2-041108
 Rectangle US Type : AR-PB2-072122
 Square EU Type : AR-PB2-086086

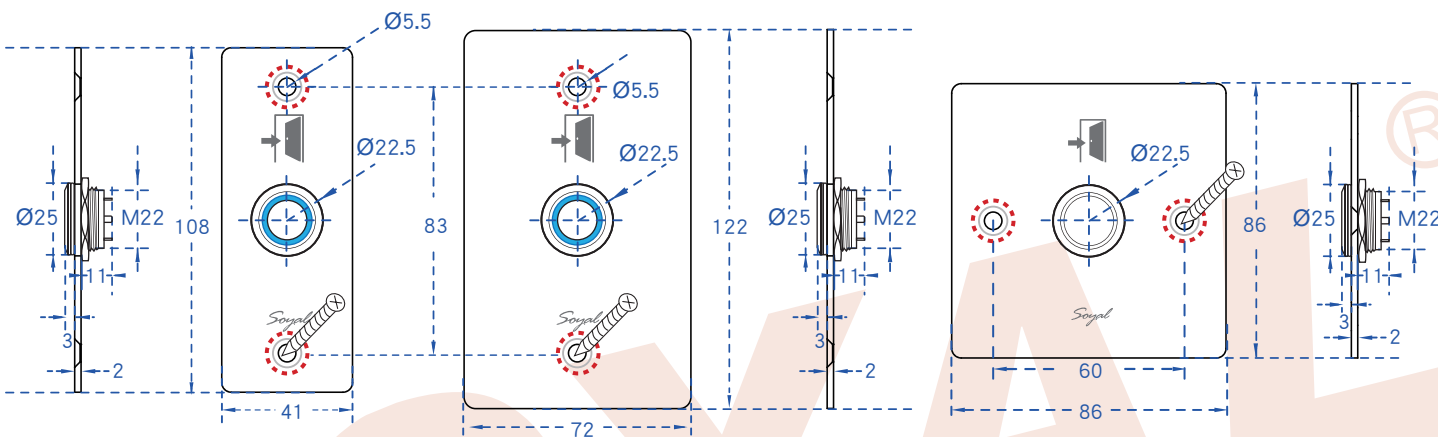
2 Installation Hole Template



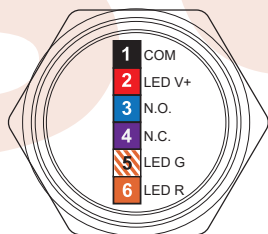
Specification

- Contact capacity :30VDC/100mA
- LED : DC 12V
- Selenoid test : Over 500,000 times
- Output contact : N.O. / N.C.
- Travel : <0.7mm
- Actuating Force : ≤3N
- Operating Temperature : -20°C ~ 65°C

Dimension (mm)



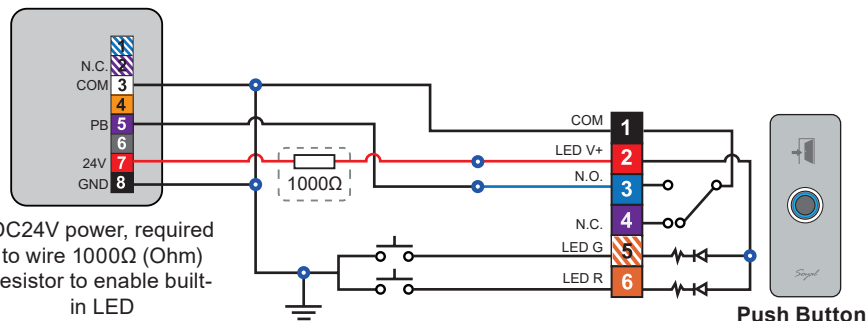
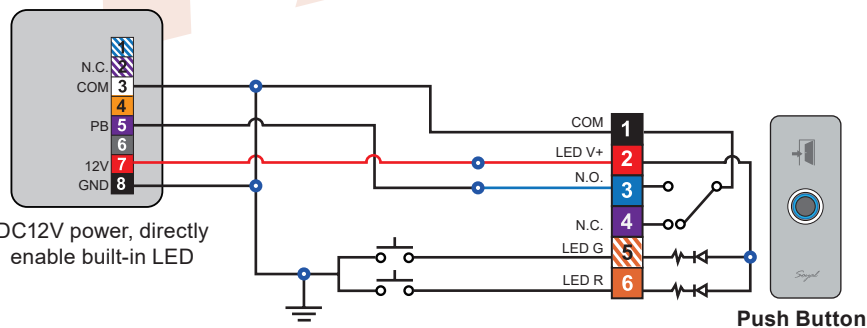
Wiring Table



Cable:

Wire Application	Color	Description	
Contact	COM	Black	COM
	V+	Red	LED V+
	N.O.	Blue	Contact
	N.C.	Purple	Contact
	LED G	Orange White	
	LED R	Orange	

Wiring Diagram



※ Note:

LED Stainless Steel Push Button AR-PB2 Series support operating voltage DC12-24V. When wiring to DC12V could directly enable built-in LED indicator. When wiring to DC24V required to wire 1000Ω resistor to enable the built-in LED then wire to LED V+

※ Note:

When LED is not in use, does not required to power red wiring LED V+