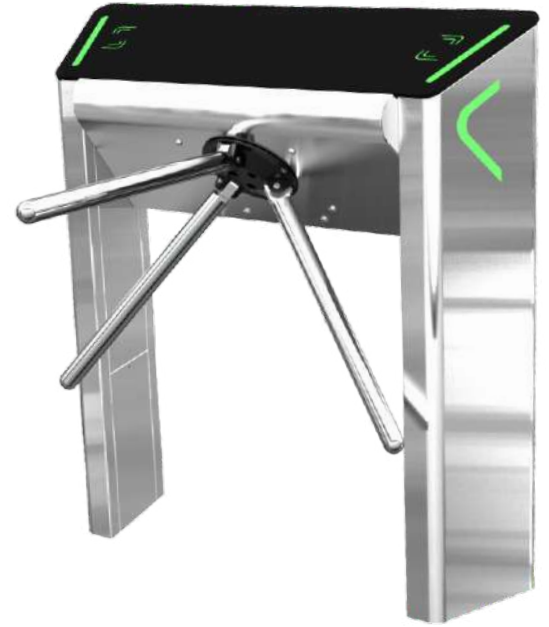


ONYX - M

Ergonomically designed with stylish lines which encapsulates a sturdy chassis and efficient control system, producing a unit which is ideal for today's contemporary interiors.

Onyx-M turnstiles are equipped with an automatic bi-directional servo-drive mechanism with a robust locking system and are able to operate reliably and efficiently in high traffic flow locations.

Onyx-M is equipped with an automatic anti-panic system, where, in the case of an emergency, the arms are automatically lowered and users can freely pass through unhindered.



TRIPOD TURNSTILES OF ONYX SERIES



60
pers/min

FREE ACCESS



25
pers/min

CROSSING CAPACITY



600
mm

PASSAGE WIDTH



IP 41

PROTECTIVE LEVEL



DROP-ARM



SERVO-DRIVEN



BI-DIRECTIONAL

Advantages

- Ergonomical design with stylish lines
- Servo-driven tripod turnstile with anti-panic system / bar drop-arm function
- Anti-panic function with automatic reset
- Successful combination of affordable price and high quality
- Integration with any type of access control and ID systems
- Low power consumption
- Whisper quiet, low noise operation
- Can be mounted on a ramped base mobile platform (TiSO Frame-M)
- Wide range of accessories
- Wired remote control is in a standard kit
- 4 LED indicators
- Supply of backup battery power connection
- Place for RFID readers under the top glass
- Turnstile is supplied ready for installation

Options

- Any additional devices upon request (e.g. passage counter, RFID/Proximity/BioMetric readers, coin acceptor, push button, barcode and QR-code reader)
- Wireless remote control
- Jumping over the arm alarm / top lid alarm
- Passage simulation alarm
- Crawling under the arm alarm
- OEM / Logo application
- Ramped base mobile platform



www.tiso.global
+380 (44) 291-21-11
e-mail: sales@tiso.global



Technical Specifications:

Width, mm	802
Length, mm	1005
Height, mm	1076
Mechanism	Servo-driven

Controlled by:



access control system;



push button control unit

Electrical Specifications:

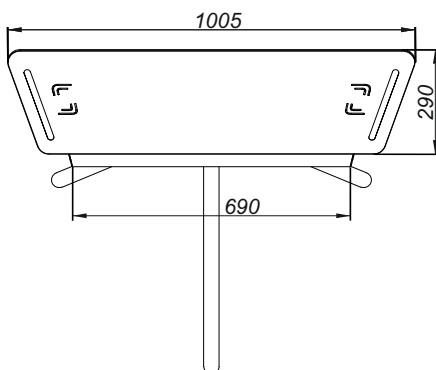
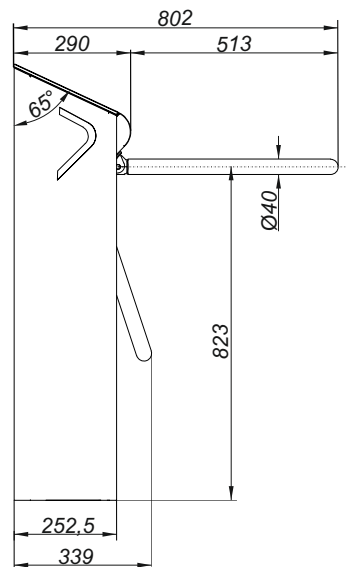
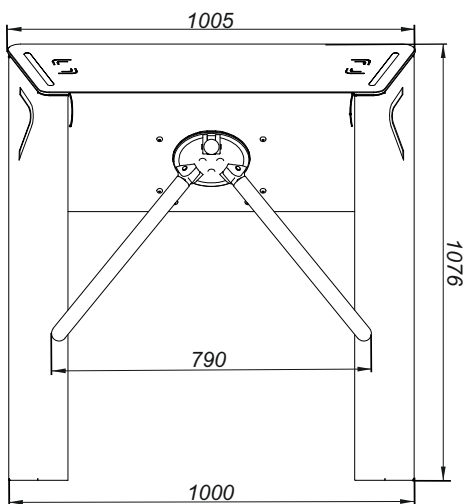
- Voltage:
 - from the AC (100-240)V, 50/60Hz;
 - from a DC source 12 V;
- Maximum power consumption 55W per pass;

Ambient temperature range:

- Standard: from +1°C to +40°C, up to IP41

Materials:

Standard housing	Brushed SS AISI 304
Available housing	Brushed SS AISI 316 Polished SS AISI 304 Polished SS AISI 316 Powder coated RAL
Tripod hub	Cast aluminum with with stainless steel arms



Installation areas:

- Governmental Institutions
- Military Bases
- Nuclear Power Plants
- Production sites (Industrial Plants)
- Commercial areas
- Financial institutions
- Airport Premises
- Business (Office) Centers
- Hotels
- Sport Complexes
- Recreation areas
- Urban areas
- Education Institutions and others

