

# STAR-GS

## HALF-HEIGHT TURNSTILE

*Star-GS is a type of security turnstiles with transparent, tempered glass wings.*

Elegant design provided by a combination of stainless steel housing and transparent glass leaves makes it suitable for installation at entrances with the requirements of sophisticated product appearance. Indoor application by default.



## ELEGANT STAR-GS TURNSTILE WITH GLASS WINGS FOR SAFE AND SECURITY

 **560**  
mm  
PASSAGE WIDTH

 **20**  
pers/min  
SINGLE ACCESS

 **40**  
pers/min  
FREE ACCESS

 **IP 41-54\***  
PROTECTIVE LEVEL

 **BI-DIRECTIONAL**

### Key advantages

- Elegant combination of tempered glass wings and robust stainless steel housing
- Low noise system operation
- Successful combination of affordable price and high quality
- Customized surface finish
- Steadfast housing suitable for high traffic areas
- Can be integrated with any type of access control systems
- Low power consumption
- Wired remote control panel is in a standard kit
- In case of power failure, gates could be opened manually (fail-safe)

### Options

- Any access control systems upon request (e.g. passage counter, RFID/Proximity/BioMetric readers, coin acceptor, push button, barcode and QR-code reader)
- OEM / logo application
- Weather pack - IP 54
- Post with card collector/card reader
- Ramped base mobile platform

\* available upon request



www.tiso.global  
+380 (44) 291-21-11  
e-mail: sales@tiso.global



## Technical Specifications:

Unit width, mm	1350
Unit length, mm	1440
Unit height, mm	1050
Passage width, mm	560
Mechanism	servo-driven (motorized)

### Controlled by:



access control system;



manual control

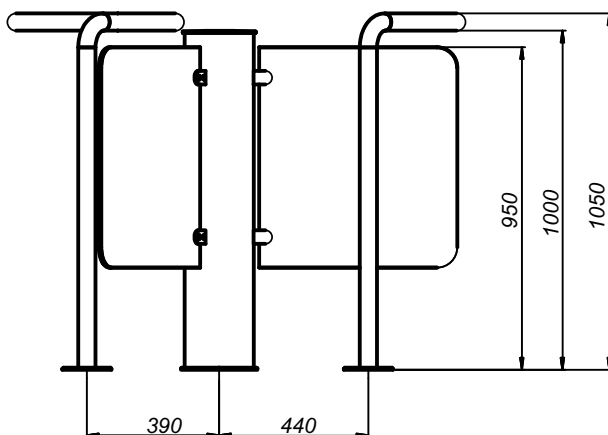
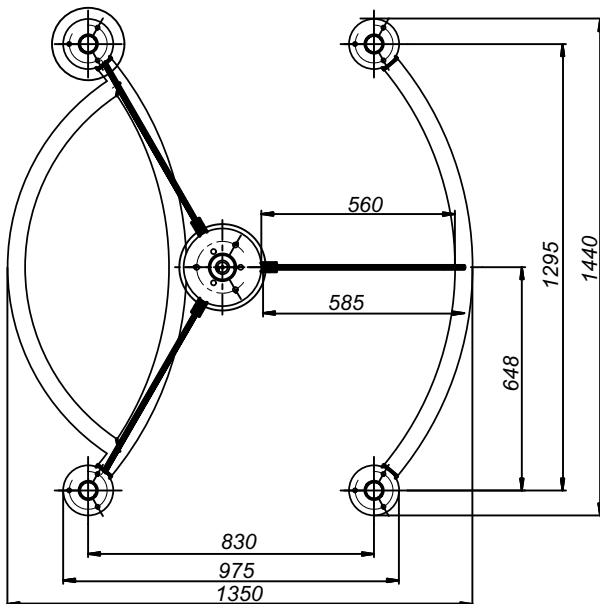
When power goes OFF both directions are free.

### Electrical Specifications:

- Voltage:
  - from the AC (100-240)V, 50/60Hz;
  - from a DC source 12 V;
- Maximum power consumption 55W per pass.

### Materials:

Standard housing	Brushed SS AISI 304
Available housing	Brushed SS AISI 316 Polished SS AISI 304 Polished SS AISI 316 Powder coated RAL



### Recommended installation areas:

- Governmental Institutions
- Education Institutions
- Production sites (Industrial Plants)
- Commercial areas
- Financial institutions
- Airport Premises
- Business (Office) Centers
- Hotels
- Sport Complexes
- Recreation areas
- Urban areas
- Military Bases and others

