

STAR-TS

HALF-HEIGHT TURNSTILE

Star-TS is a half height turnstile with metal tubular wings.

Elegant design makes it suitable for installation at entrances with the requirements of sophisticated product appearance. The range of modifications includes three and four wing types as well as different type of metal finishing. Indoor application by default.



STYLISH & PRACTICAL SOLUTION FOR SAFE AND SECURITY

 **560**
mm
PASSAGE WIDTH

 **20**
pers/min
SINGLE ACCESS

 **40**
pers/min
FREE ACCESS

 **IP 41-54***
PROTECTIVE LEVEL

 **BI-DIRECTIONAL**

Key advantages

- Steel tubular wings made of stainless steel that provides a high degree of resistance to vandalism
- Low noise system operation
- Successful combination of affordable price and high quality
- Customized surface finish
- Steadfast housing suitable for high traffic areas
- Can be integrated with any type of access control systems
- Low power consumption
- Wired remote control panel is in a standard kit
- In case of power failure, gates could be opened manually (fail-safe)

Options

- Any access control systems upon request (e.g. passage counter, RFID/Proximity/BioMetric readers, coin acceptor, push button, barcode and QR-code reader)
- OEM / logo application
- Weather pack - IP 54
- Post with card collector/card reader
- Ramped base mobile platform

* available upon request



www.tiso.global
+380 (44) 291-21-11
e-mail: sales@tiso.global



Technical Specifications:

| | |
|-------------------|--------------------------|
| Unit width, mm | 1350 |
| Unit length, mm | 1440 |
| Unit height, mm | 1050 |
| Passage width, mm | 560 |
| Mechanism | servo-driven (motorized) |

Controlled by:



access control system;



manual control

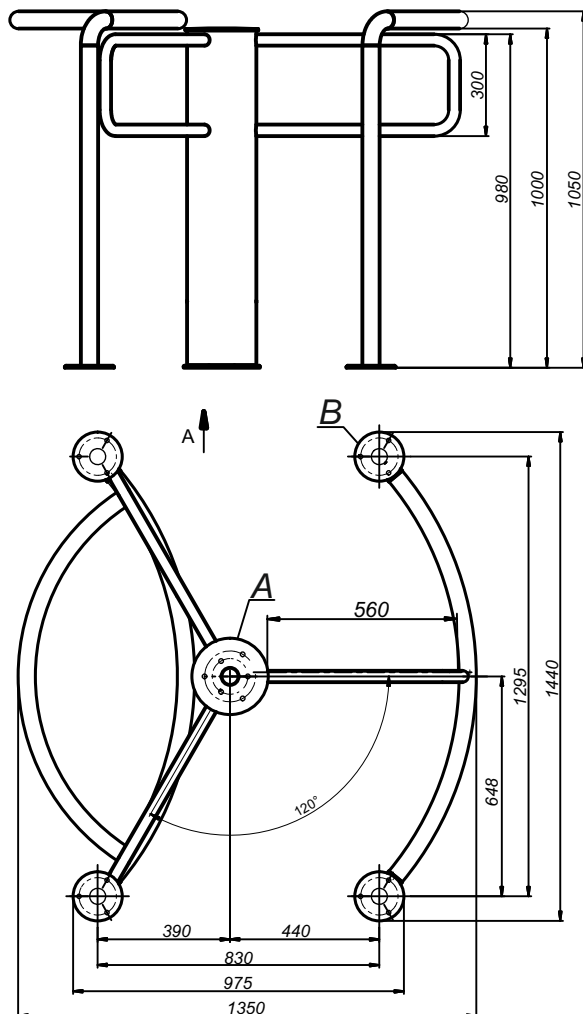
When power goes OFF both directions are free.

Electrical Specifications:

- Voltage:
 - from the AC (100-240)V, 50/60Hz;
 - from a DC source 12 V;
- Maximum power consumption 55W per pass.

Materials:

| | |
|-------------------|--|
| Standard housing | Brushed SS AISI 304 |
| Available housing | Brushed SS AISI 316 Polished SS AISI 304 Polished SS AISI 316 Powder coated RAL |



Recommended installation areas:

- Governmental Institutions
- Education Institutions
- Production sites (Industrial Plants)
- Commercial areas
- Financial institutions
- Airport Premises
- Business (Office) Centers
- Hotels
- Sport Complexes
- Recreation areas
- Urban areas
- Military Bases and others

